

end mills - long / extra long - TiAlN multi coated

Schafffräser - lang / extra lang - TiAlN multi-Beschichtung





fraise en bout - longue / extra longue - TiAlN multi-revêtement

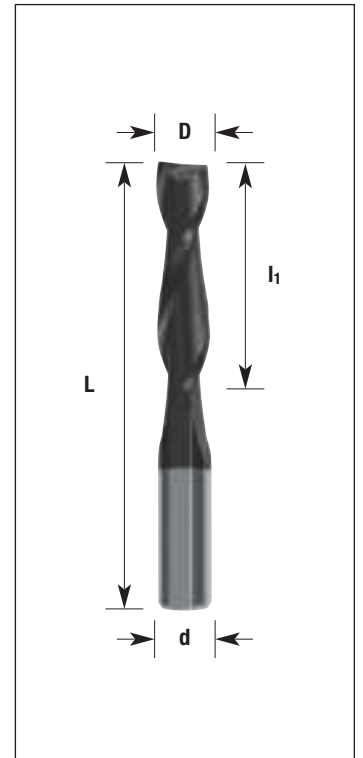
fresas frontales - serie larga / serie extra larga - TiAlN multi-recubrimiento

frese lunghe / extra lunghe - rivestimento TiAlN

146-E

Z=2

		tol: D 1 - 7mm +0.000/-0.051mm > 7 - 25mm +0.000/-0.076mm 1/16" - 1/4" +0.000"/-0.002" > 1/4" - 1" +0.000"/-0.003"	tol: d h6								
Micro Grain K10/K30	<table border="0"> <tr> <td>1.1 - 1.3</td> <td>3.1 - 3.4</td> </tr> <tr> <td>1.4 - 1.6</td> <td>4.1 - 5.3</td> </tr> <tr> <td>1.7 - 1.8</td> <td>6.1 - 6.4</td> </tr> <tr> <td>2.1 - 2.3</td> <td>9.1</td> </tr> </table>	1.1 - 1.3	3.1 - 3.4	1.4 - 1.6	4.1 - 5.3	1.7 - 1.8	6.1 - 6.4	2.1 - 2.3	9.1		
1.1 - 1.3	3.1 - 3.4										
1.4 - 1.6	4.1 - 5.3										
1.7 - 1.8	6.1 - 6.4										
2.1 - 2.3	9.1										
DFZ (TiAlN)											



D mm	d mm	L mm	l ₁ mm	Part Nr
3	3	65	25	14611810E
4	4	65	25	14615750E
5	5	75	25	14619680E
6	6	75	25	14623620E
10	10	100	38	14639370E
12	12	100	50	14647240E
16	16	150	75	14662990E

D ins	d ins	L ins	l ₁ ins	Part Nr
1/8	1/8	2 1/2	1	14612500E
3/16	3/16	3	1 1/8	14618750E
1/4	1/4	3	1 1/8	14625000E
5/16	5/16	3	1 1/8	14631250E
3/8	3/8	4	1 3/4	14637500E
7/16	7/16	4 1/2	2	14643750E
1/2	1/2	4 1/2	2	14650000E
5/8	5/8	5	2 1/4	14662500E
3/4	3/4	5	2 1/4	14675000E

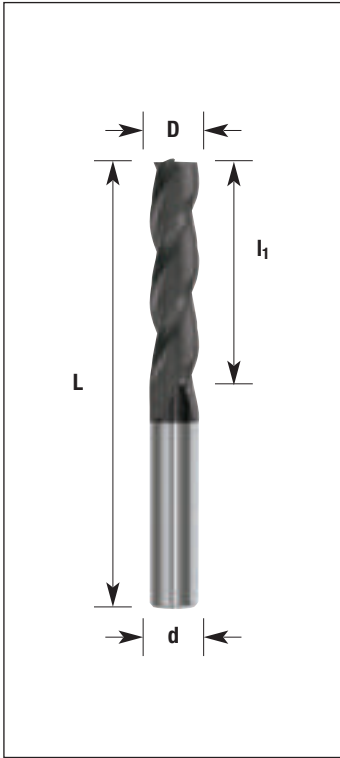
end mills - long / extra long - TiAlN multi coated

Schafffräser - lang / extra lang - TiAlN multi-Beschichtung

fraise en bout - longue / extra longue - TiAlN multi-revêtement

fresas frontales - serie larga / serie extra larga - TiAlN multi-recubrimiento

frese lunghe / extra lunghe - rivestimento TiAlN



147-E

Z=3

		tol: D 1 - 7mm +0.000/-0.051mm > 7 - 25mm +0.000/-0.076mm 1/16" - 1/4" +0.000"/-0.002" > 1/4" - 1" +0.000"/-0.003"	tol: d h6								
Micro Grain K10/K30	<table border="0"> <tr> <td>1.1 - 1.3</td> <td>4.1 - 5.3</td> </tr> <tr> <td>1.4 - 1.6</td> <td>6.1 - 8.3</td> </tr> <tr> <td>2.1 - 2.3</td> <td>9.1</td> </tr> <tr> <td>3.1 - 3.4</td> <td></td> </tr> </table>	1.1 - 1.3	4.1 - 5.3	1.4 - 1.6	6.1 - 8.3	2.1 - 2.3	9.1	3.1 - 3.4			
1.1 - 1.3	4.1 - 5.3										
1.4 - 1.6	6.1 - 8.3										
2.1 - 2.3	9.1										
3.1 - 3.4											
DFZ (TiAlN)											

D mm	d mm	L mm	l ₁ mm	Part Nr
3	3	65	25	14711810E
4	4	65	25	14715750E
5	5	75	25	14719680E
6	6	75	25	14723620E
8	8	75	25	14731500E
10	10	100	38	14739370E
12	12	100	50	14747240E
16	16	150	75	14762990E
20	20	150	75	14778740E

D ins	d ins	L ins	l ₁ ins	Part Nr
1/8	1/8	2 1/2	1	14712500E
3/16	3/16	3	1 1/8	14718750E
1/4	1/4	3	1 1/8	14725000E
5/16	5/16	3	1 1/8	14731250E
3/8	3/8	4	1 3/4	14737500E
7/16	7/16	4 1/2	2	14743750E
1/2	1/2	4 1/2	2	14750000E
5/8	5/8	5	2 1/4	14762500E
3/4	3/4	5	2 1/4	14775000E

end mills - long / extra long - TiAlN multi coated

Schafffräser - lang / extra lang - TiAlN multi-Beschichtung




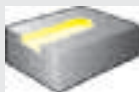
fraise en bout - longue / extra longue - TiAlN multi-revêtement

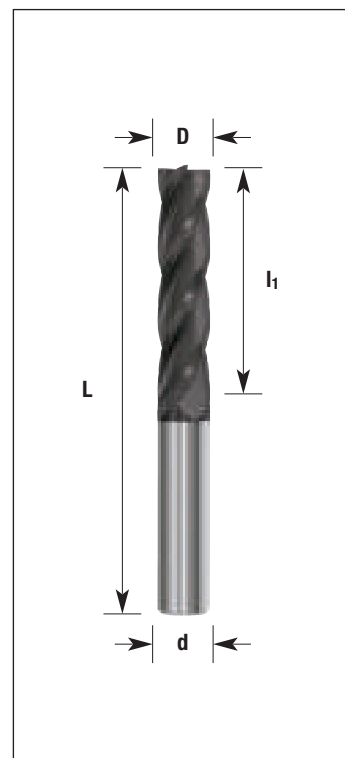
fresas frontales - serie larga / serie extra larga - TiAlN multi-recubrimiento

frese lunghe / extra lunghe - rivestimento TiAlN

148-E

Z = 4

		tol: D 1 - 7mm +0.000/-0.051mm > 7 - 25mm +0.000/-0.076mm 1/16" - 1/4" +0.000"/-0.002" > 1/4" - 1" +0.000"/-0.003"	tol: d 1 - 25mm h6 1/32" - 1" +0.000"/-0.0005"								
Micro Grain K10/K30	<table border="0"> <tr> <td>1.1 - 1.3</td> <td>4.1 - 5.3</td> </tr> <tr> <td>1.4 - 1.6</td> <td>6.1 - 6.4</td> </tr> <tr> <td>2.1 - 2.3</td> <td>9.1</td> </tr> <tr> <td>3.1 - 3.4</td> <td></td> </tr> </table>	1.1 - 1.3	4.1 - 5.3	1.4 - 1.6	6.1 - 6.4	2.1 - 2.3	9.1	3.1 - 3.4			
1.1 - 1.3	4.1 - 5.3										
1.4 - 1.6	6.1 - 6.4										
2.1 - 2.3	9.1										
3.1 - 3.4											
DFZ (TiAlN)											



D mm	d mm	L mm	l ₁ mm	Part Nr
3	3	65	25	14811810E
4	4	65	25	14815750E
5	5	75	25	14819680E
6	6	75	25	14823620E
8	8	75	25	14831500E
10	10	100	38	14839370E
12	12	100	50	14847240E
16	16	150	75	14862990E
20	20	150	75	14878740E

D ins	d ins	L ins	l ₁ ins	Part Nr
1/8	1/8	2 1/2	1	14812500E
3/16	3/16	3	1 1/8	14818750E
1/4	1/4	3	1 1/8	14825000E
5/16	5/16	3	1 1/8	14831250E
3/8	3/8	4	1 3/4	14837500E
7/16	7/16	4 1/2	2	14843750E
1/2	1/2	4 1/2	2	14850000E
5/8	5/8	5	2 1/4	14862500E
3/4	3/4	5	2 1/4	14875000E